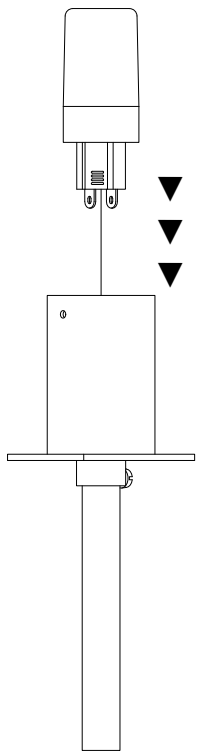
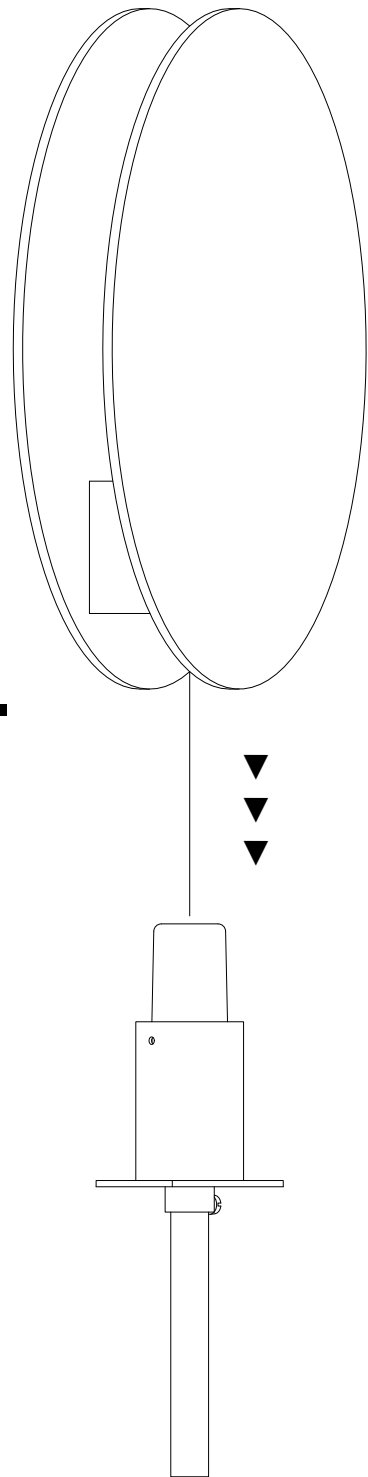


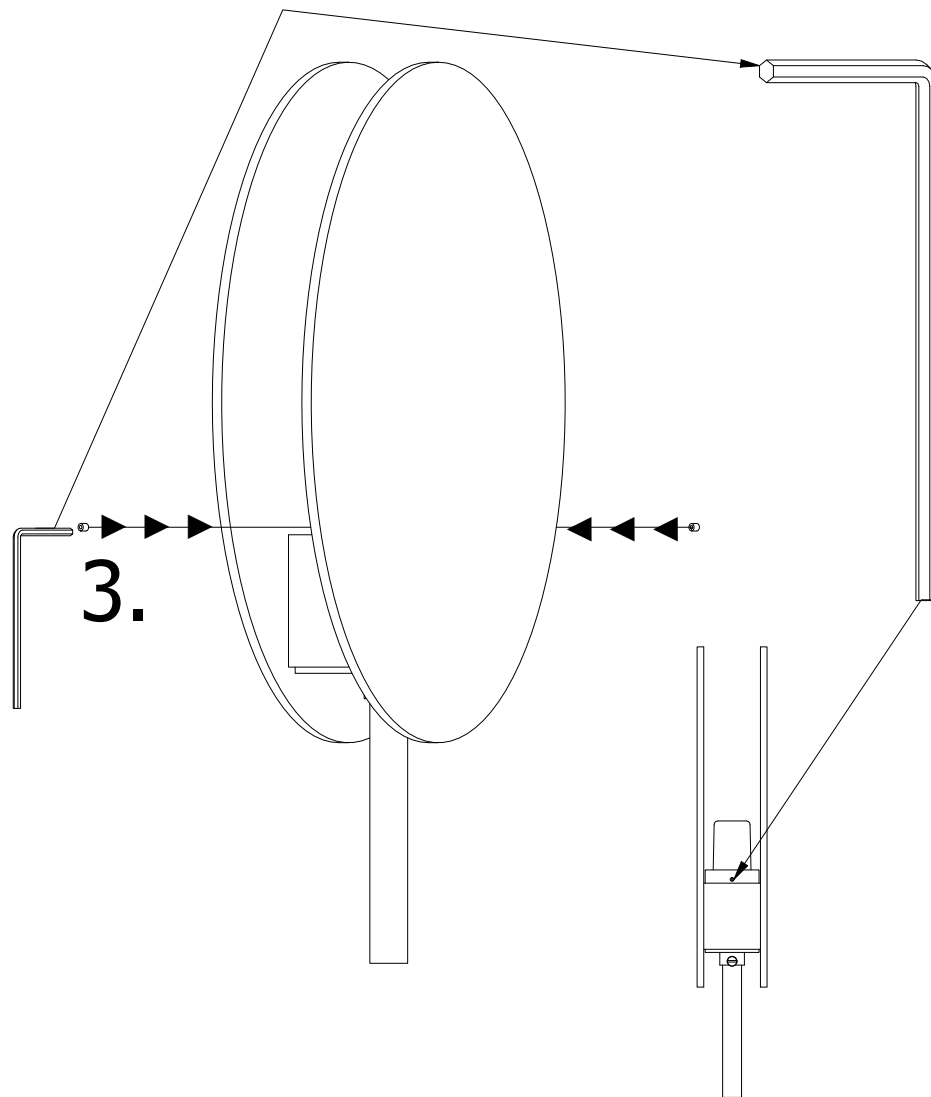
1.




2.



3.



Assembly Instructions for Present Glass Diffusers

	Unit: cm		Company: Patinás Lámpa Kft.	
	Scale: 1 / 2	Sheet size: A4	Title: Assembly Instructions for Present Glass Diffusers	
Checked by:	Date: 2022. 02. 09.	Designer: Hájas András		Sheet: 1